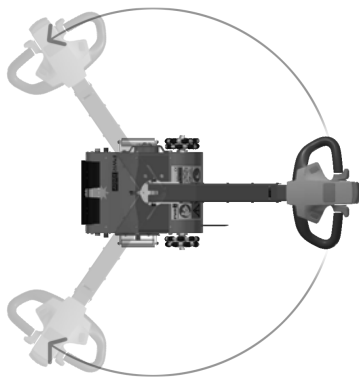




Easy Roller

Roll transport / roll handling



Material: steel construction

Load capacity: max. 8,000 kg

Power supply: battery-operated

Mobility: can be moved forwards and backwards, can be pulled and push (multi-directional wheels)

Features:

- new, unique and robust design
- variable speed
- ergonomic drawbar, rotates 270 degrees
- sturdy, hard-wearing drawbar head with safety device
- drawbar handle can be rotated by 90 degrees
- the handle is equipped with a "E-Stop belly button" for improved operator safety
- thanks to battery power, the unit is independent of any supply lines such as compressed air
- battery indication on the handle
- two batteries and a charger are included in the standard delivery scope
- motor, chains, etc. are inside the machine, so that these important parts cannot be damaged and remain clean
- can move up to 8,000 kg

